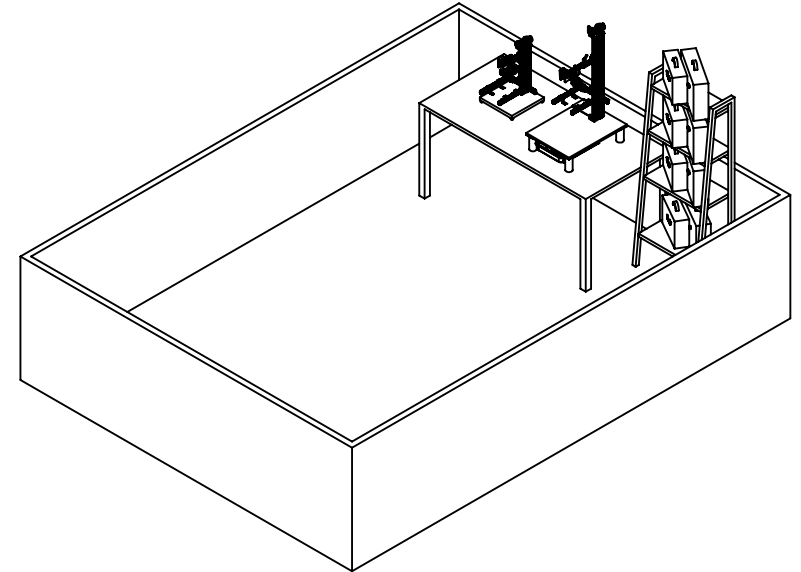
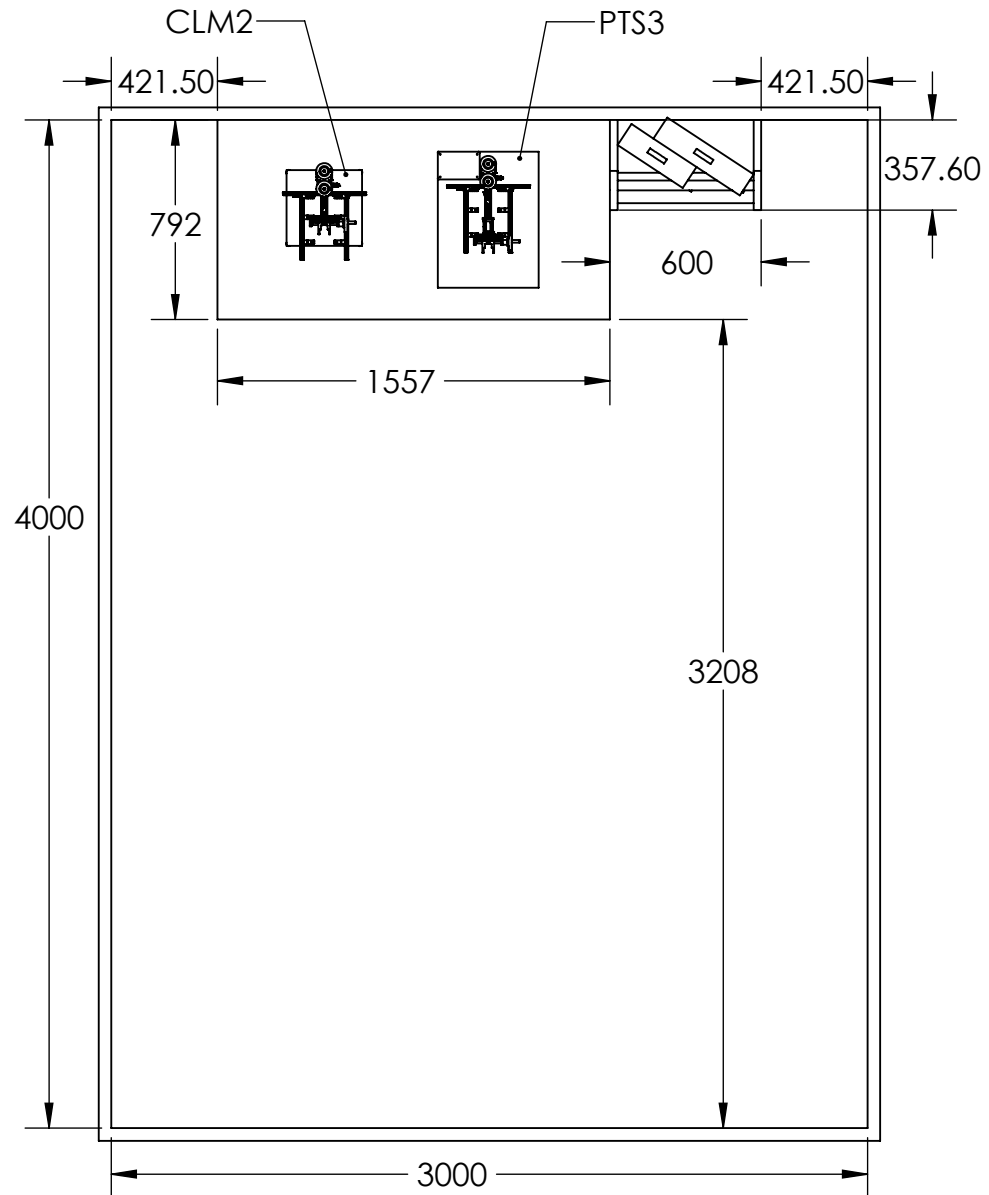


REVISIONS

ZONE	REV.	DESCRIPTIONS	DATE	APP.
------	------	--------------	------	------



DESIGN BY	AIMAN	UNIT:	MM	MINI LAB	
CHECK BY		REVISION:	01		
DATE	13/3/2023	SCALE:	1 : 1	TITLE	DRAWING LAYOUT
MATERIAL	ALU			PART NO	
FINISHING	B/ANOD			DWG NO	
QTY	1				

COLOUR:	-	-
VOLTAGE:	-	-
CURRENT:	-	-
POWER:	-	-
SHEET 1 OF 1		